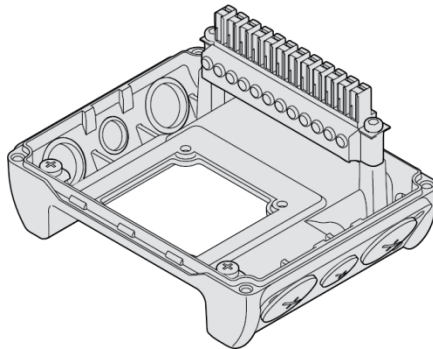


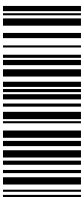


Emotron CDN

Wiring unit for CDN-WU-Size 1,
CDN-WU-Size 2,
CDN-WU-Size 3



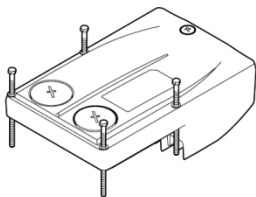
Montageanleitung
Mounting Instructions
Instructions de montage
Instrucciones para el montaje
Istruzioni per il montaggio



13522612

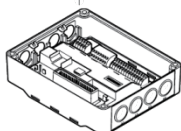


③



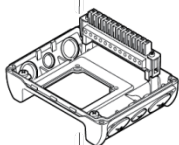
CDN40-xxx

②

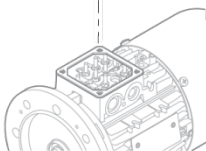
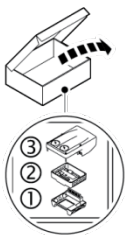


CDN-COM-xxx

①



CDN-WU-xxx





Warnings!

Operation of this equipment requires detailed installation and operation instructions provided in the Hardware manual intended for use with this product. This information is provided on the CD-ROM included in the box this device was packaged in. It should be retained with this device at all time.



Gefahr!

GEFÄHRLICHE ELEKTRISCHE SPANNUNG

- ▶ Die Leistungsanschlüsse führen bis zu 3 Minuten nach Netz-Ausschalten gefährliche elektrische Spannung.

MÖGLICHE FOLGEN:

- ▶ Tod oder schwere Verletzungen beim Berühren der Leistungsanschlüsse.

SCHUTZMAßNAHMEN:

- ▶ Vor Arbeiten am Gerät Netzspannung ausschalten und mindestens 3 Minuten warten.
- ▶ Prüfen, ob alle Leistungsanschlüsse spannungsfrei sind.

Beachten Sie auch weitere wichtige Informationen zur Geräte- und Sicherheitstechnik auf der beiliegenden CD-ROM!



Danger!

DANGEROUS VOLTAGE

- ▶ The power terminals carry dangerous voltages for up to 3 minutes after mains disconnection.

POSSIBLE CONSEQUENCES:

- ▶ Death or severe injury if the power terminals are touched.

PROTECTIVE MEASURES:

- ▶ Switch off the mains voltage and wait at least 3 minutes before starting to work on the device.
- ▶ Check that all power terminals are deenergised.

Please also observe more important information on device and safety technology provided on the enclosed CD-ROM!



Danger !

TENSION ÉLECTRIQUE DANGEREUSE

- ▶ Les raccordements de puissance sont susceptibles de véhiculer une tension dangereuse jusqu'à 3 minutes après une coupure réseau.

RISQUES ENCOURUS :

- ▶ Mort ou blessures graves en cas de contact avec les raccordements de puissance

MESURES DE PROTECTION :

- ▶ Avant toute manipulation de l'appareil, couper la tension réseau et attendre 3 minutes au minimum.
- ▶ S'assurer que tous les raccordements de puissance sont hors tension.

Veillez également tenir compte des consignes importantes sur la technologie des appareils et les fonctions de sécurité comprises sur le cédérom joint !



iPeligro!

VOLTAJE ELÉCTRICO PELIGROSO

- ▶ Las conexiones de potencia siguen vivas hasta 3 minutos después de la desconexión de red.

POSIBLES CONSECUENCIAS:

- ▶ Muerte o serias lesiones al tocar las conexiones de potencia.

MEDIDAS DE PROTECCIÓN:

- ▶ Antes de trabajar en el equipo, desconectar la alimentación de red y esperar por lo menos 3 minutos.
- ▶ Comprobar, si todas las conexiones de potencia están libres de voltaje.

Observe también la información importante sobre aspectos relativos a la técnica del dispositivo y de seguridad incluida en el CD-ROM adjunto!



Pericolo!

TENSIONE ELETTRICA PERICOLOSA

- ▶ I collegamenti di potenza presentano una tensione elettrica pericolosa fino a 3 minuti dopo la disinserzione della rete.

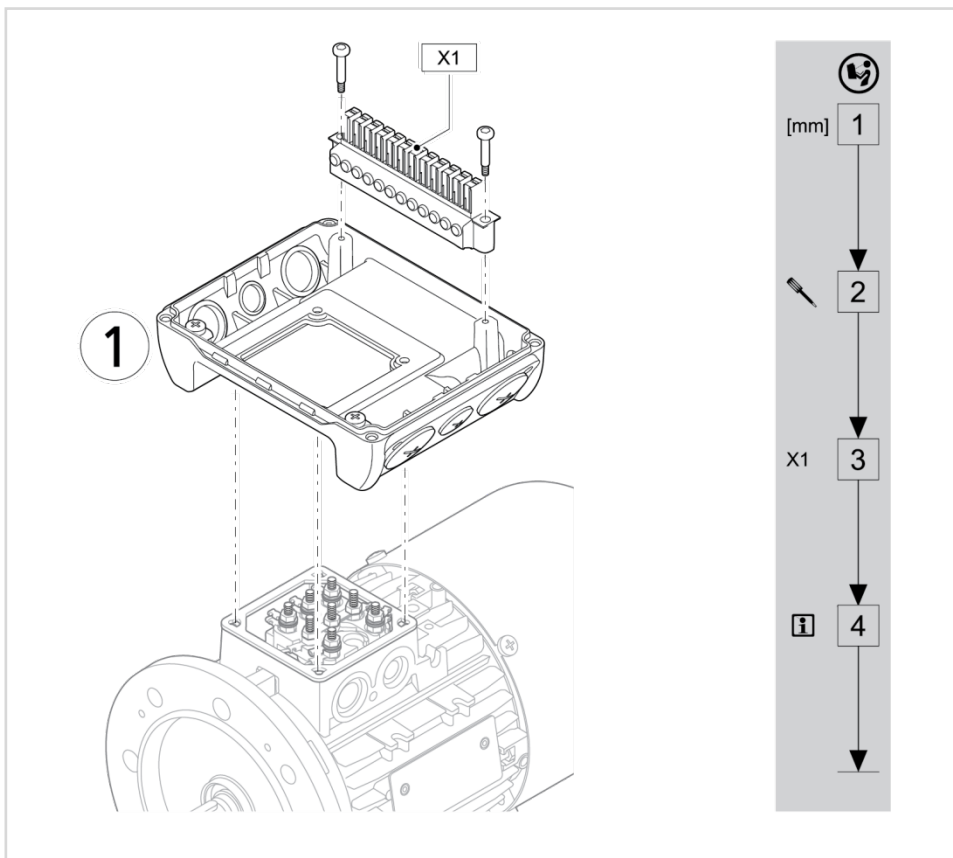
POSSIBILI CONSEGUENZE:

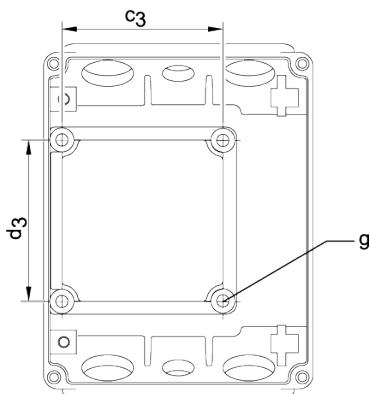
- ▶ Morte o gravi lesioni in caso di contatto con i collegamenti di potenza.


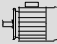
MISURE DI PROTEZIONE:

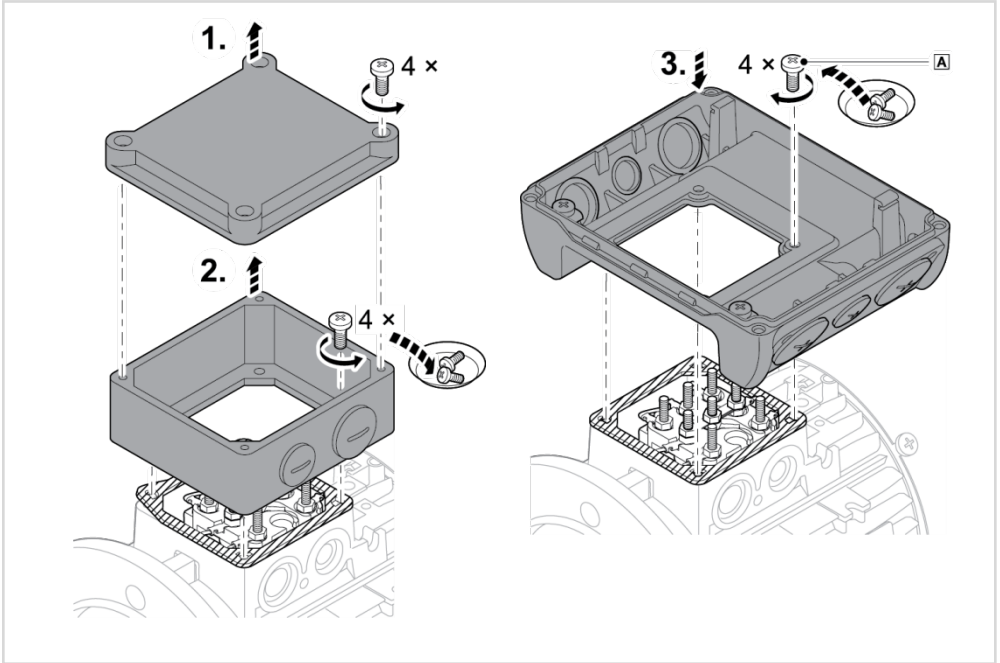
- ▶ Attendere almeno 3 minuti prima di eseguire qualsiasi intervento sui collegamenti di potenza.
- ▶ Controllare tutti i collegamenti di potenza per accertare l'assenza di tensione.

Osservare anche le ulteriori informazioni importanti relative a installazione e sicurezza incluse nel CD-ROM allegato!





|  | c ₃ [mm] | d ₃ [mm] | g [mm] |  P _N / f _N |
|----------------------------------------------------------------------------------|------------------------|------------------------|-----------|-------------------------------------------------------------------------------------------------------------------|
| CDN-WU-Size 1 | 60 | 60 | 4.5 | 0.75 kW / 50 Hz |
| CDN-WU-Size 2 | 73 | 73 | 5.5 | 1.5 2.2 kW / 50 Hz |
| CDN-WU-Size 3 | 73 | 73 | 5.5 | 3 4 kW / 50 Hz |



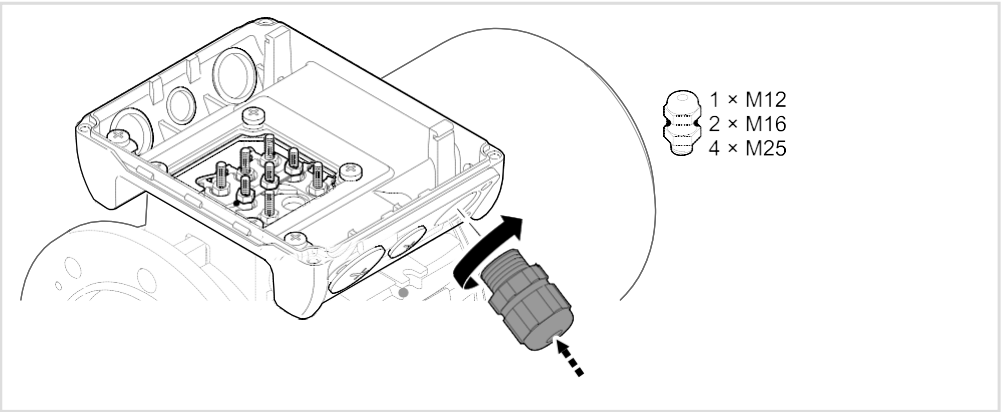
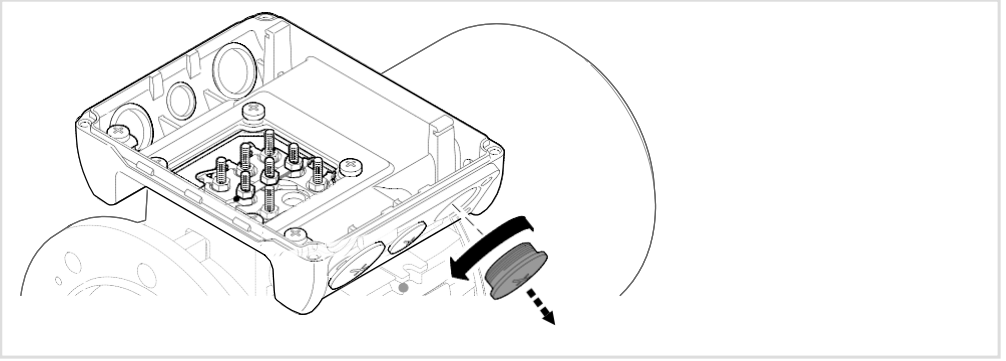
⌚ Nm / [lb-in]

M4

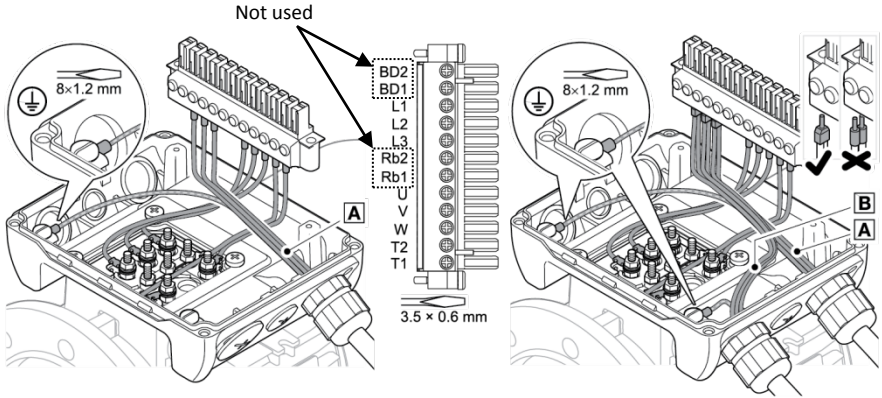
3.4/30

M5

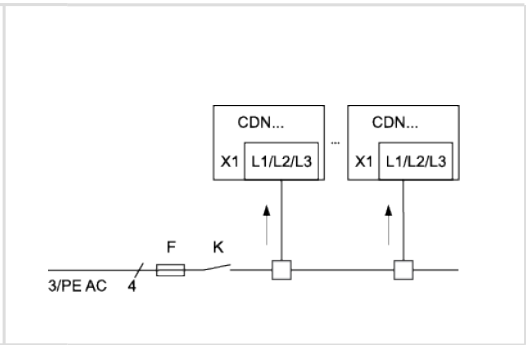
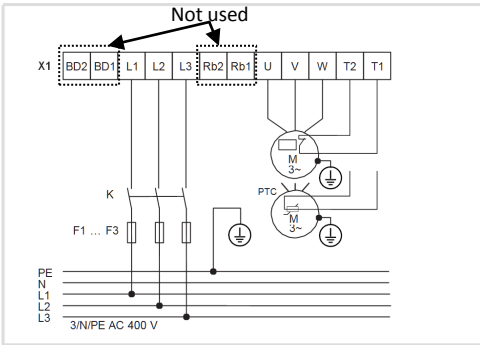
3.4/30



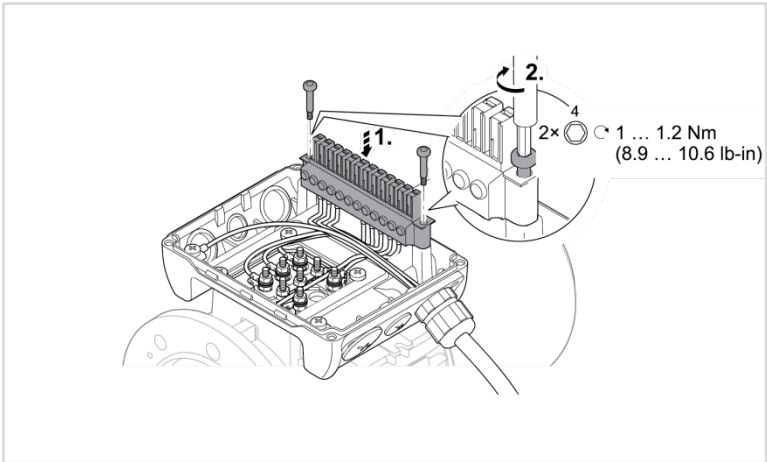
X1

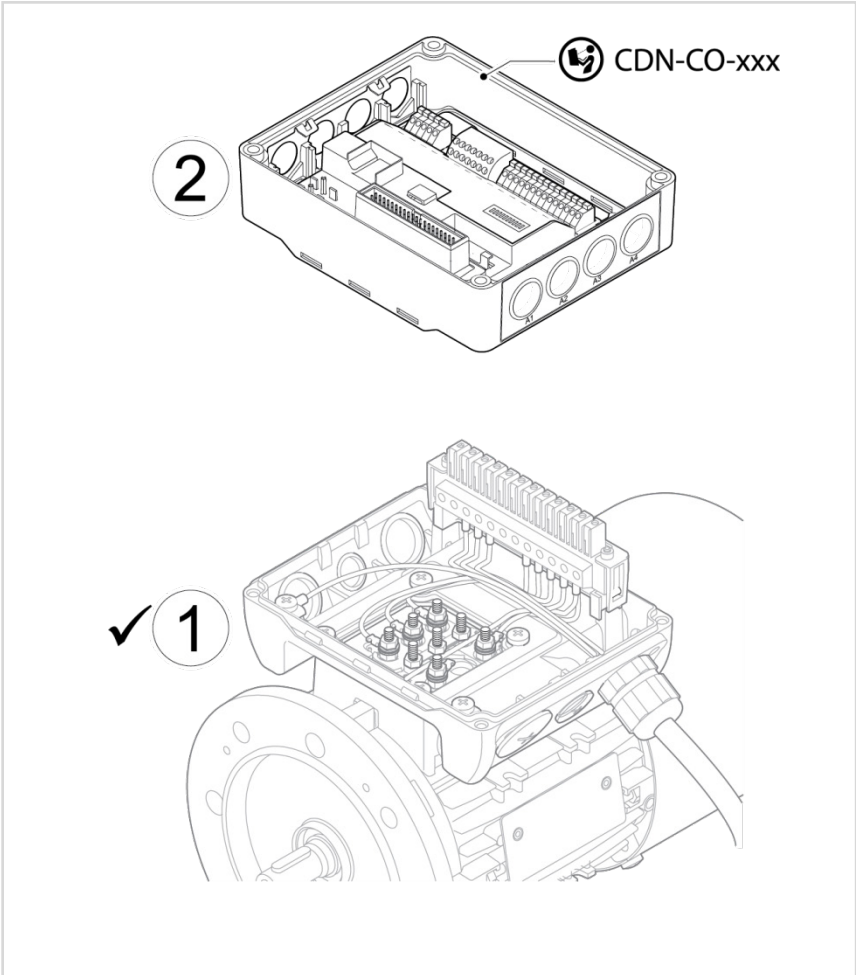


- A** 120 mm
- B** 180 mm



| | F | | UL | L1, L2, L3 / U, V, W | | | PE | | | T1, T2 | | |
|-------------------------------|----------|-----|----|-----------------------------|------|-----------------|-----------------------------|------|-----------------|-----------------------------|------|-----------------|
| | EN 60204 | | | [mm ²] [AWG] | [mm] | [Nm] [lb-in] | [mm ²] [AWG] | [mm] | [Nm] [lb-in] | [mm ²] [AWG] | [mm] | [Nm] [lb-in] |
| CDN40-2P2 ... | 16 | C16 | 15 | 1 ... 4.0 18 ... 10 | 10 | 0.5 4.4 | 1 ... 4.0 18 ... 10 | 10 | 1.7 15 | 1.5 16 | 10 | 0.5 4.4 |
| CDN40-4P8 CDN40-7P0 ... | 32 | C32 | 25 | 1 ... 6.0 18 ... 8 | 10 | 0.8 7.0 | 1 ... 16 18 ... 8 | 10 | 1.7 15 | 1 ... 6 18 ... 8 | 10 | 0.8 7.0 |
| CDN40-8P7 | | | | | | | | | | | | |





CG DRIVES & AUTOMATION
Mörsaregatan 12,
Box 222 25
SE- 250 24 Helsingborg, Sweden
+46 42 16 99 00
Info: info.se@cglobal.com
Order: order.se@cglobal.com